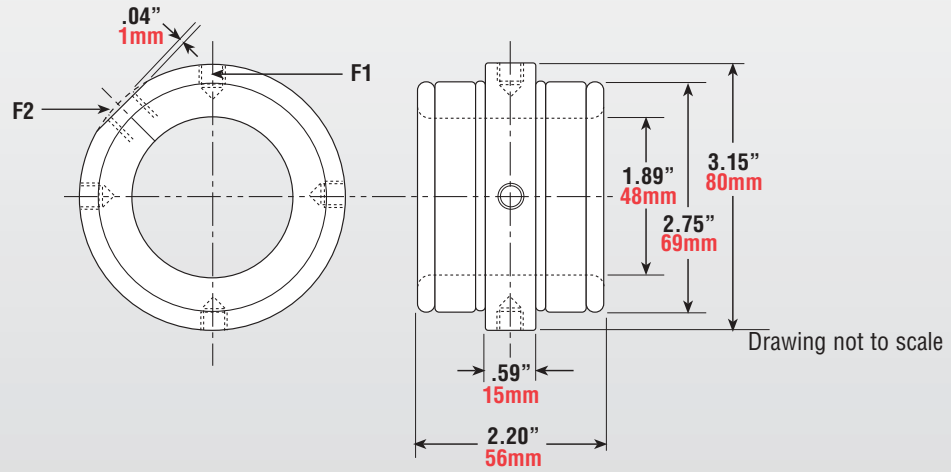
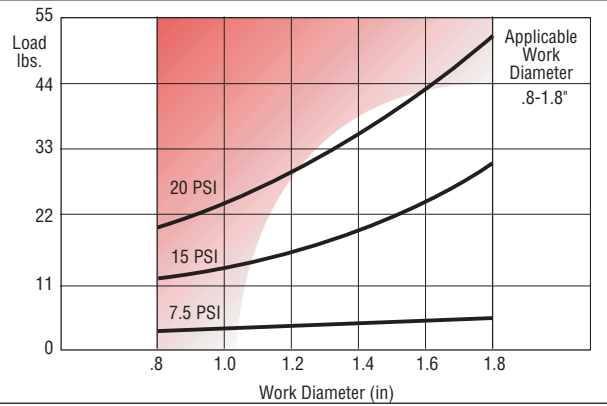


Assembly Order No.	Rubber Material	F1	F2	Clamp Ring	Body Material	Max Restricted Pressure (psig/bar)	Max Unrestricted Pressure (psig/bar)
WP1-358-7003	Neoprene	10-24 UNC	1/8 - 27 NPT	Stainless Steel	Aluminum	20 / 1.5	10 / 0.75
WP1-358-7007	Silicone	10-24 UNC	1/8 - 27 NPT	Stainless Steel	Aluminum	15 / 1	7.5 / 0.5
WP1-M58-5004	Neoprene	M8	PT 1/8	Stainless Steel	Aluminum	20 / 1.5	10 / 0.75
WP1-M58-5008	Silicone	M8	PT 1/8	Stainless Steel	Aluminum	15 / 1	7.5 / 0.5

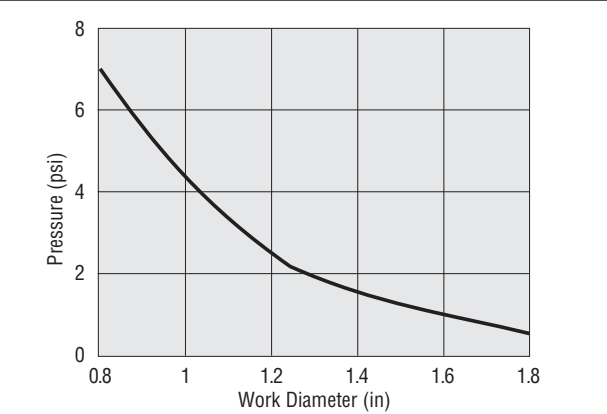


IMPERIAL

FORCE CURVES

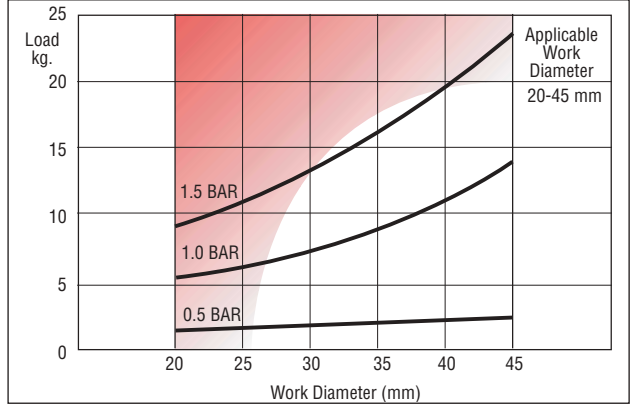


PRESSURE VS INFLATED DIAMETER



METRIC

FORCE CURVES



PRESSURE VS INFLATED DIAMETER

