



Firestone Contact:

Revision Level:

Date:

Customer Company Name:

Customer Contact Name:

Phone:

Fax:

Email:

Customer Project Number:

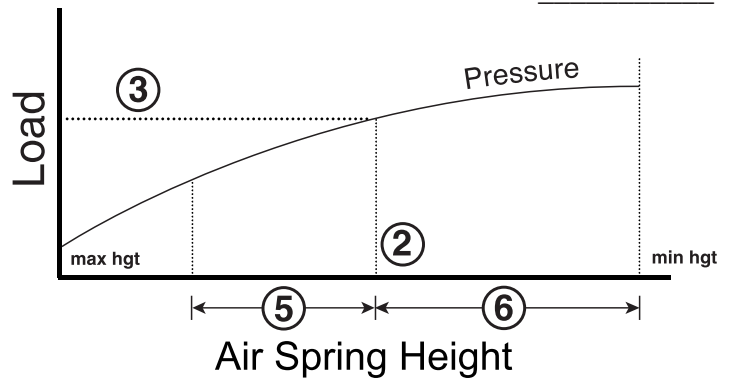
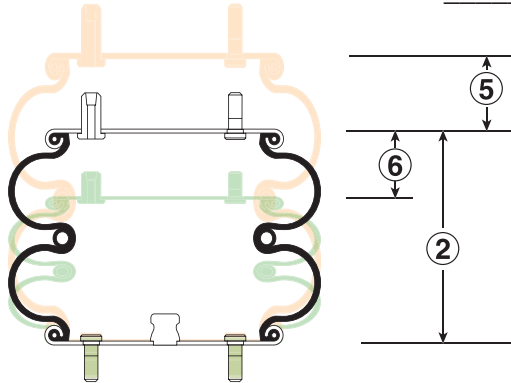
Application:

Annual Volume:

Air Spring Performance Requirements

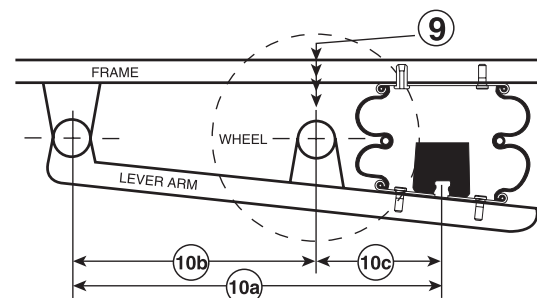
Geographical Location / Environmental Information _____

1. Is this a lift spring application (Yes , No) _____
 - a. If YES, Maximum Lift Height (in , mm) = _____
 - b. If YES, Load at Maximum Lift Height (lb , N) = _____
2. Air Spring Design Height (in , mm) = _____
3. Air Spring Design Load (lb , N) = _____
4. Air Spring Operating Pressure (psig , bar) = _____
5. Air Spring Rebound Travel (in , mm) = _____
6. Air Spring Jounce Travel (in , mm) = _____



7. Air Spring Clearance:
 - a. Max. Spring Diameter (in , mm) = _____
 - b. Can rubber roll past top of upper bead plate? (Yes , No) _____
 - c. Can rubber roll past bottom of lower bead plate? (Yes , No) _____
10. Lever Arm Ratio
 - a. (in , mm) = _____
 - b. (in , mm) = _____
 - c. (in , mm) = _____

8. Maximum Pressure Available (psig , bar) = _____
9. Axle Load (lbf , N):
 - a. Empty = _____
 - b. Design = _____
 - c. Full Load = _____



Air Spring Performance Requirements (cont.)

11. Internal Bumper Required (Yes / No)

a. Bumper Contact Angle (5° max) = _____

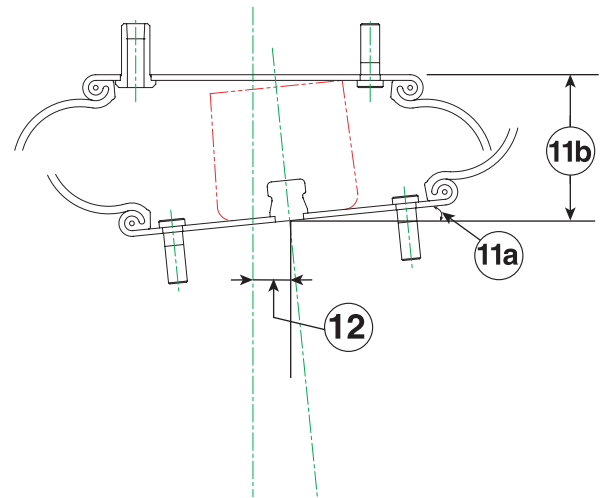
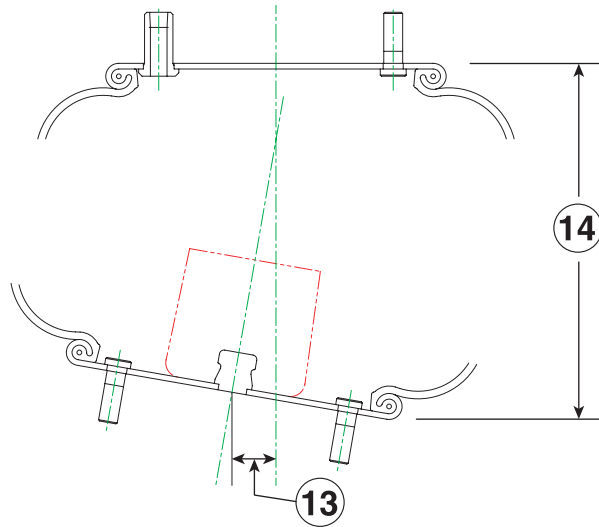
b. Bumper Contact Height (in , mm) = _____

12. Jounce Offset at bumper contact height (in , mm) = _____

13. Rebound Offset at maximum rebound height (in , mm) = _____

14. Maximum Rebound Height (in , mm) = _____

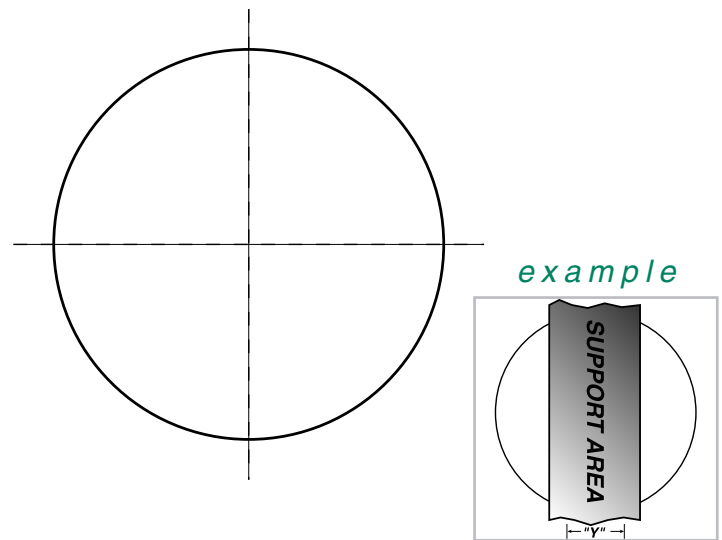
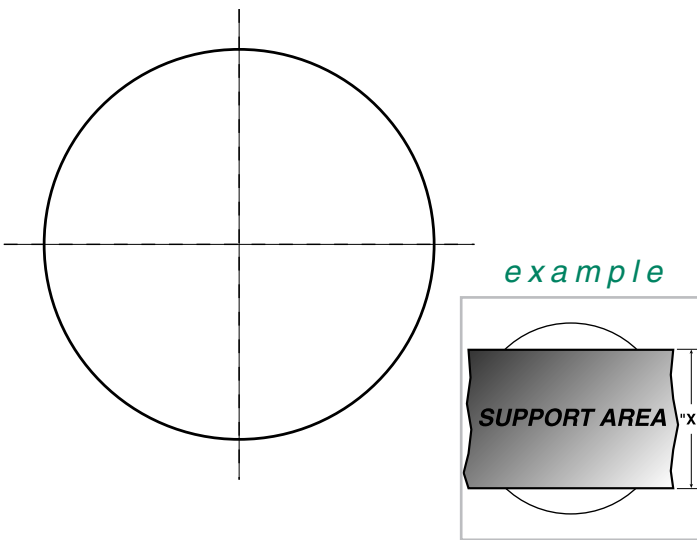
15. Please include suspension drawing



16. Upper Bead Plate Support Area

17. Lower Bead Plate Support Area

80% BEAD PLATE SUPPORT AREA RECOMMENDED



18. Customer Air Spring Drawing = (Yes / No)
If yes, please attach

19. Production Start Date = _____

20. Prototype required = (Yes / No)

a. Date required = _____

b. Quantity required = _____

Air Spring Performance Requirements (cont.)

21. Upper Bead Plate Fastener Detail

Firestone bead plate number (if known) = _____

"Same As" Part number = _____

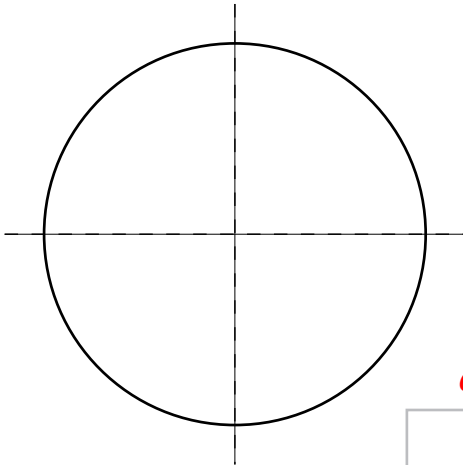
22. Lower Bead Plate Fastener Detail

Firestone bead plate number (if known) = _____

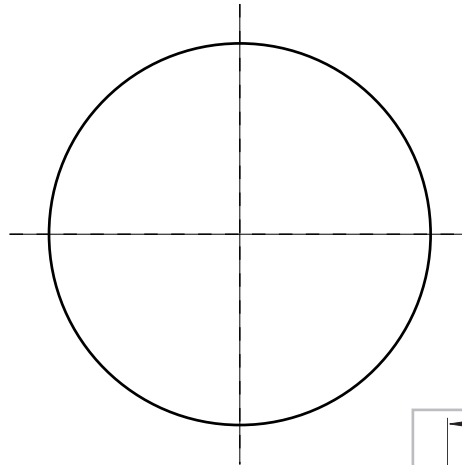
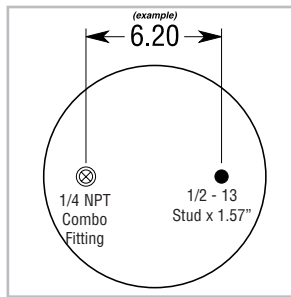
"Same As" Part number = _____

Hardware Key

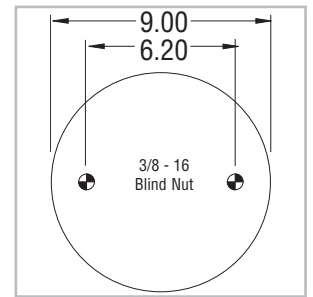
- Bolt or Stud 1/2-13
- ⊕ Threaded Hole 3/8-16 Blind Nut on Bead Plates 1/2-13 in Pistons
- ⊗ Air Inlet 1/4 N.P.T.
- ▲ No alignment specified-center stud mounting is standard
- ⊗ Combination Stud/Air Inlet Stud Outside Thread is 3/4-16
- Studs Inside Thread (Air Inlet) is 1/4 N.P.T.



example



example



23. Bead Plate Salt Spray Requirement (96 hour standard)

= _____

24. PPAP Required

= (Yes / No)

a. PPAP Level Required

= _____

b. Please attach PPAP requirements

26. Special labeling requirements

= (Yes / No)

If yes, please attach

27. Test data required

= (Yes / No)

Load Deflection

Burst

Other _____

25. Packaging Requirements

= _____

(Firestone Bulk Pack Standard)